



P Style

Push-On Retainer Fasteners

Push-on retainer fasteners are designed to hold components on plain round shafts, rods or axles.

Reduce Costs - Eliminate costly secondary operations such as notching, threading or drilling.

Fast, Easy Assembly - No need to find a thread or turn a nut down with a torque wrench. "Push-ons" can be quickly pushed on a shaft or stud.

Applications - Push-on fasteners have the capacity for positioning anywhere along a stud, wire or rod. They are used in almost every industry with diverse applications ranging from hubcaps for toy wheels to boat trailer roller caps.

Material and Standard Finishes

Material is 1050 steel. Standard finishes available: Plain (hardened and tempered, no secondary finish), Mechanical Zinc (clear, yellow or black dichromate), Electro Zinc (clear, yellow or black dichromate) and Phosphate & Oil (dull black finish).

Application Tips

Fixtures should be used to apply the fasteners. The fasteners should be presented squarely to the stud or rod, crooked application can affect the performance of the fastener. When installing "P" type fasteners, use a fixture tht pushes squarely on the OD but avoids interfering with the petals of the fastener.



PL Style



PS Style

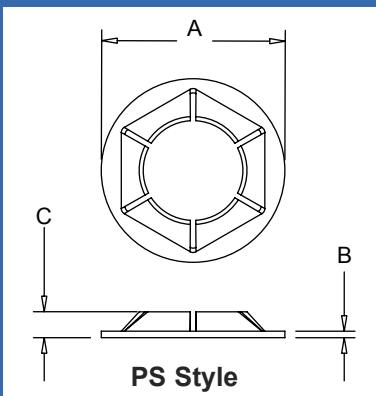
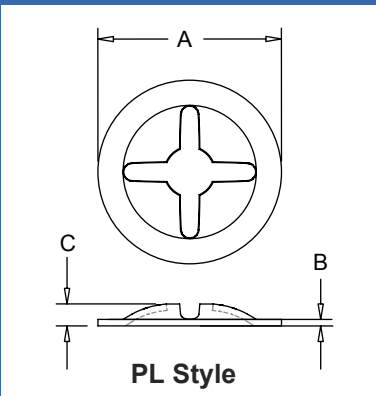
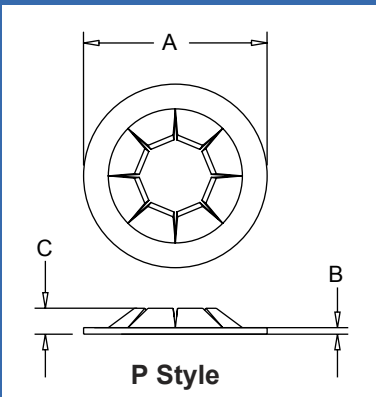
OAKVILLE

MONTREAL

EDMONTON

VANCOUVER

ATLANTA



Technical Data

Part No.	Stud Dia.*	OD A	HT C	TK B	Min. Pull-Off (lbs.)
P06219-10	1/16"	.195"	.038"	.010"	75
P11737-13	.117"	.375"	.052"	.013"	300
P125312-15	1/8"	.312"	.052"	.015"	300
P12537-13	1/8"	.375"	.052"	.013"	300
P15643-10	5/32"	.437"	.047"	.010"	60
P15643-13	5/32"	.437"	.055"	.013"	180
P18843-10	3/16"	.437"	.056"	.010"	200
P18843-13	3/16"	.437"	.060"	.013"	300
P18843-15	3/16"	.437"	.064"	.015"	400
P18853-10	3/16"	.531"	.060"	.010"	60
P18853-17	3/16"	.531"	.075"	.017"	400
P21853-10	7/32"	.531"	.055"	.010"	200
P21853-17	7/32"	.531"	.068"	.017"	580
P21953-13	.219"	.531"	.067"	.013"	200
P24053-10	.240"	.531"	.054"	.010"	200
P24053-17	.240"	.531"	.048"	.017"	400
P24053-17-1	.240"	.531"	.069"	.017"	600
P25053-13	1/4"	.531"	.055"	.013"	400
P25053-17	1/4"	.531"	.066"	.017"	600
P25075-21	1/4"	.750"	.060"	.021"	700
P31262-15	5/16"	.625"	.050"	.015"	300
P31262-21	5/16"	.626"	.072"	.021"	900
P31262-25	5/16"	.625"	.070"	.025"	500
P37575-17	3/8"	.750"	.061"	.017"	700
P37575-25	3/8"	.750"	.081"	.025"	900
PL12537-15	1/8"	.375"	.063"	.015"	60
PS25093-15	1/4"	.938"	.083"	.015"	100
PS31294-15	5/16"	.940"	.097"	.015"	200
PS37594-15	3/8"	.940"	.093"	.015"	250
PS50094-15	1/2"	.940"	.064"	.015"	500
PM3295-13	M3.2	9.50	1.40	0.33	100
PM40110-10	M4	11.18mm	1.40	0.25mm	100
PM5011-10	M5	11.10mm	1.32mm	0.25mm	100
PM5015-15	M5	15.87mm	1.45mm	0.38mm	300
PM6013-10	M6	13.46mm	1.40mm	0.25mm	200
PM6135-17	M6.1	13.49mm	1.68mm	0.43mm	300
PM10019	M10	19.05mm	1.90mm	0.63mm	TBD

*Stud and Rod design requirements: diameter tolerance of $\pm 0.0025"$ (.06mm). Material hardness must not exceed Rockwell 30T-78. Chrome plating should be avoided and nickel plating greater than .0003" should also be avoided. The stud/rod should have a lead in chamfer as sharp edges with burrs can prevent proper functioning of the fastener.