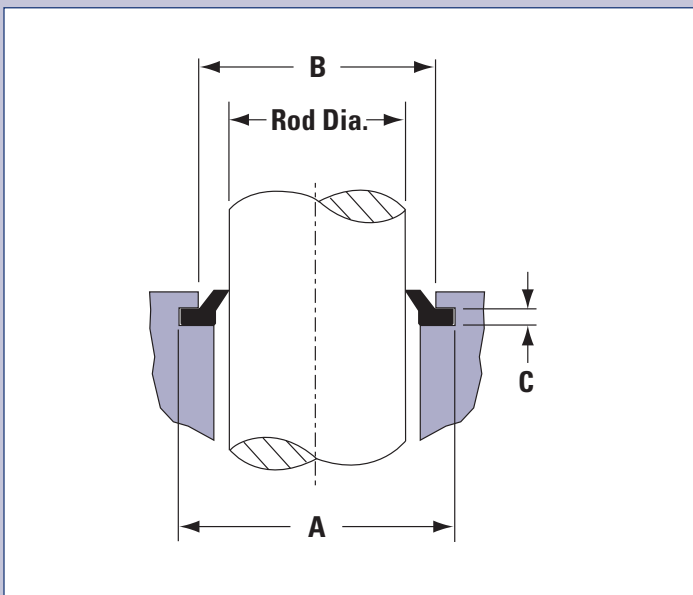
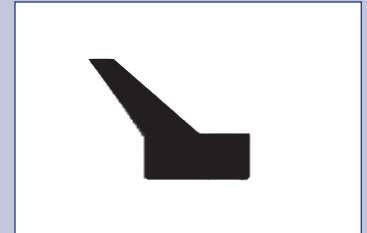


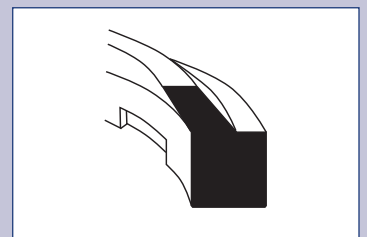
## Style AN Rod Wipers

Designed for light duty applications where style ST wipers are not required. Interchangeable with corresponding dash numbers of MS28776 wiper rings. Consult DMR for AN6231 retrofit. DMR stocks AN Rod Wipers in 90 Durometer Urethane and in 90 Durometer Fluoroelastomer.



Note: DMR Stocks a number of sizes with a Slotted Heel Design (SH) in urethane. This design prevents extrusion of snap-in wipers caused by pressure build-up due to excessive rod seal leakage.

Groove Dimensions meet ANS/B93.35 1978 specifications. (NFPA-T3-197.3R1).



## Tolerances

A +.005 / -.000

B +.010 / -.000

C +.003 / -.000

## Style AN Rod Wipers

| DMR Part Number | A - Rod Diameter | B - Groove I.D. | C - Base Thickness |
|-----------------|------------------|-----------------|--------------------|
| AN-01           | 1/2              | .760            | .104               |
| AN-01-SH        | 1/2              | .760            | .104               |
| AN-02           | 9/16             | .823            | .104               |
| AN-03           | 5/8              | .885            | .104               |
| AN-03-SH        | 5/8              | .885            | .104               |
| AN-04           | 11/16            | .948            | .104               |
| AN-05           | 3/4              | 1.010           | .104               |
| AN-05-N         | 3/4              | 1.010           | .104               |
| AN-05-SH        | 3/4              | 1.010           | .104               |
| AN-05V          | 3/4              | 1.010           | .104               |
| AN-06           | 13/16            | 1.084           | .104               |
| AN-06-SH        | 13/16            | 1.084           | .104               |
| AN-07           | 7/8              | 1.147           | .104               |
| AN-07A          | 7/8              | 1.118           | .104               |
| AN-07A-T        | 7/8              | 1.118           | .104               |
| AN-07-SH        | 7/8              | 1.147           | .104               |
| AN-08           | 15/16            | 1.209           | .104               |
| AN-09           | 1                | 1.272           | .104               |
| AN-09B          | 1                | 1.272           | .104               |
| AN-09-SH        | 1                | 1.272           | .104               |
| AN-09V          | 1                | 1.272           | .104               |
| AN-10           | 1-1/16           | 1.334           | .104               |
| AN-11           | 1-1/8            | 1.397           | .104               |
| AN-11-SH        | 1-1/8            | 1.397           | .104               |
| AN-12           | 1-3/16           | 1.459           | .104               |
| AN-13           | 1-1/4            | 1.522           | .104               |
| AN-13B          | 1-1/4            | 1.490           | .104               |
| AN-13-SH        | 1-1/4            | 1.522           | .104               |
| AN-13V          | 1-1/4            | 1.522           | .104               |
| AN-14           | 1-5/16           | 1.614           | .104               |
| AN-15           | 1-3/8            | 1.677           | .104               |
| AN-15-SH        | 1-3/8            | 1.677           | .104               |

| DMR Part Number | A - Rod Diameter | B - Groove I.D. | C - Base Thickness |
|-----------------|------------------|-----------------|--------------------|
| AN-15V          | 1-3/8            | 1.677           | .104               |
| AN-16           | 1-7/16           | 1.739           | .104               |
| AN-01           | 1/2              | .760            | .104               |
| AN-01-SH        | 1/2              | .760            | .104               |
| AN-02           | 9/16             | .823            | .104               |
| AN-03           | 5/8              | .885            | .104               |
| AN-03-SH        | 5/8              | .885            | .104               |
| AN-04           | 11/16            | .948            | .104               |
| AN-05           | 3/4              | 1.010           | .104               |
| AN-05-N         | 3/4              | 1.010           | .104               |
| AN-05-SH        | 3/4              | 1.010           | .104               |
| AN-05V          | 3/4              | 1.010           | .104               |
| AN-06           | 13/16            | 1.084           | .104               |
| AN-06-SH        | 13/16            | 1.084           | .104               |
| AN-07           | 7/8              | 1.147           | .104               |
| AN-07A          | 7/8              | 1.118           | .104               |
| AN-07A-T        | 7/8              | 1.118           | .104               |
| AN-07-SH        | 7/8              | 1.147           | .104               |
| AN-08           | 15/16            | 1.209           | .104               |
| AN-09           | 1                | 1.272           | .104               |
| AN-09B          | 1                | 1.272           | .104               |
| AN-09-SH        | 1                | 1.272           | .104               |
| AN-09V          | 1                | 1.272           | .104               |
| AN-10           | 1-1/16           | 1.334           | .104               |
| AN-11           | 1-1/8            | 1.397           | .104               |
| AN-11-SH        | 1-1/8            | 1.397           | .104               |
| AN-12           | 1-3/16           | 1.459           | .104               |
| AN-13           | 1-1/4            | 1.522           | .104               |
| AN-13B          | 1-1/4            | 1.490           | .104               |
| AN-13-SH        | 1-1/4            | 1.522           | .104               |
| AN-13V          | 1-1/4            | 1.522           | .104               |
| AN-14           | 1-5/16           | 1.614           | .104               |

**Style AN Rod Wipers**

| <b>DMR Part Number</b> | <b>A - Rod Diameter</b> | <b>B - Groove I.D.</b> | <b>C - Base Thickness</b> |
|------------------------|-------------------------|------------------------|---------------------------|
| AN-15                  | 1-3/8                   | 1.677                  | .104                      |
| AN-15-SH               | 1-3/8                   | 1.677                  | .104                      |
| AN-15V                 | 1-3/8                   | 1.677                  | .104                      |
| AN-16                  | 1-7/16                  | 1.739                  | .104                      |