

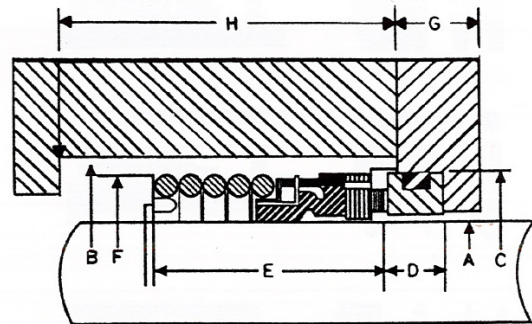
DATE: _____
 CUSTOMER: _____
 ADDRESS: _____

CONTACT: _____
 TITLE: _____
 PHONE: _____
 FAX: _____

A. SHAFT/SLEEVE O.D.: _____
 B. COUNTERBORE OF STUFFING BOX: _____
 C. BORE OF GLAND FOR STATIONARY SEAT: _____
 D. STATIONARY THICKNESS: _____
 E. OPERATING HEIGHT OF SEAL: _____
 F. SEAL O.D.: _____

TO CONVERT FROM PACKING TO SEAL

G. WIDTH OF GLAND: _____
 H. STUFFING BOX DEPTH: _____



EQUIPMENT DATA

1. PUMP MANUFACTURER'S NAME: _____
 2. MODEL NUMBER: _____
 3. SEAL PART NUMBER: _____

SEAL DESIGN

1. HEAD TYPE: _____
 2. SEAT TYPE: _____
 3. MANUFACTURER: _____
 4. MANUFACTURER PART NUMBER: _____

SERVICE

1. PRODUCT: _____
 2. EXPLAIN IF ABRASIVE: _____
 3. PERCENTAGE OF CONCENTRATION: _____
 4. TEMPERATURE: _____
 5. STUFFING BOX PRESSURE: _____
 6. SHAFT SPEED: _____

www.daemar.com

**SUPPLYING
 THE PACE OF INDUSTRY**

861 Cranberry Court
 Oakville, ON L6L 6J7
 (905) 847-6500
 Fax: (905) 847-6943
 1-800-387-7115
sales@daemarinc.com

548 Meloche
 Dorval, QC H9P 2T2
 (514) 636-3113
 Fax: (514) 633-1206
 1-800-361-6826
mtlsales@daemarinc.com

4472-97TH Street
 Edmonton, AB T6E 5R9
 (780) 435-8899
 Fax: (780) 435-9090
 1-800-214-9590
edmsales@daemarinc.com

#25-1610 Derwent Way
 Delta, BC V3M 6W1
 (604) 523-6023
 Fax: (604) 523-6123
 1-800-663-0032
bcsales@daemarinc.com

1730 Cumberland Point Dr., #2
 Marietta, GA 30067-9205
 (770) 953-4710
 Fax: (770) 953-4711
 1-877-432-3627
gasales@daemarinc.com